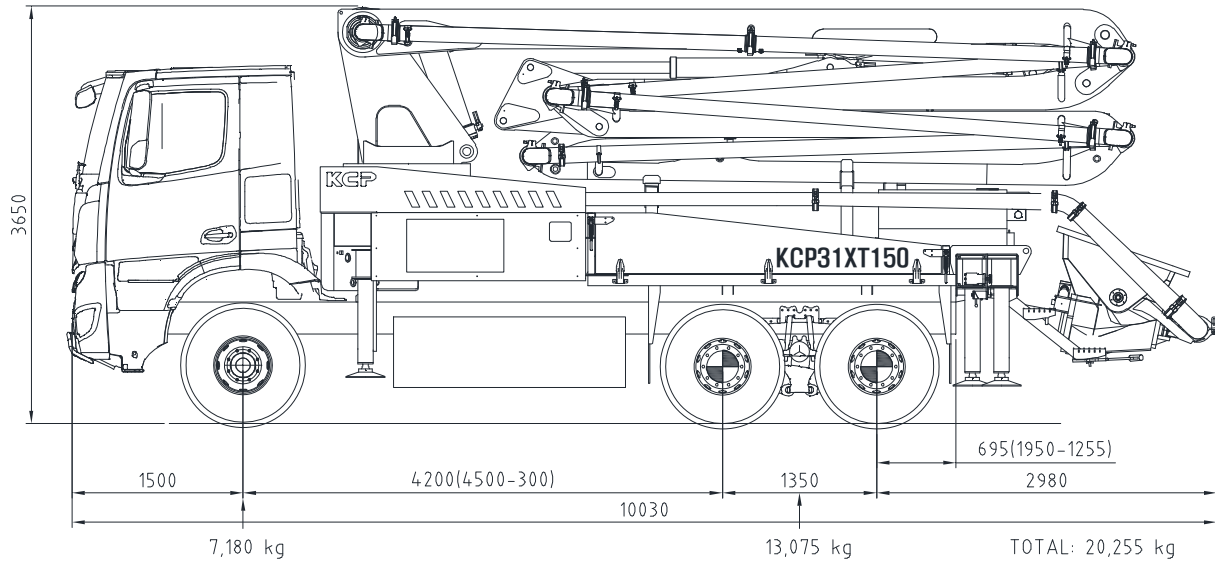


Our Pride ...

KCP31ZXT5150

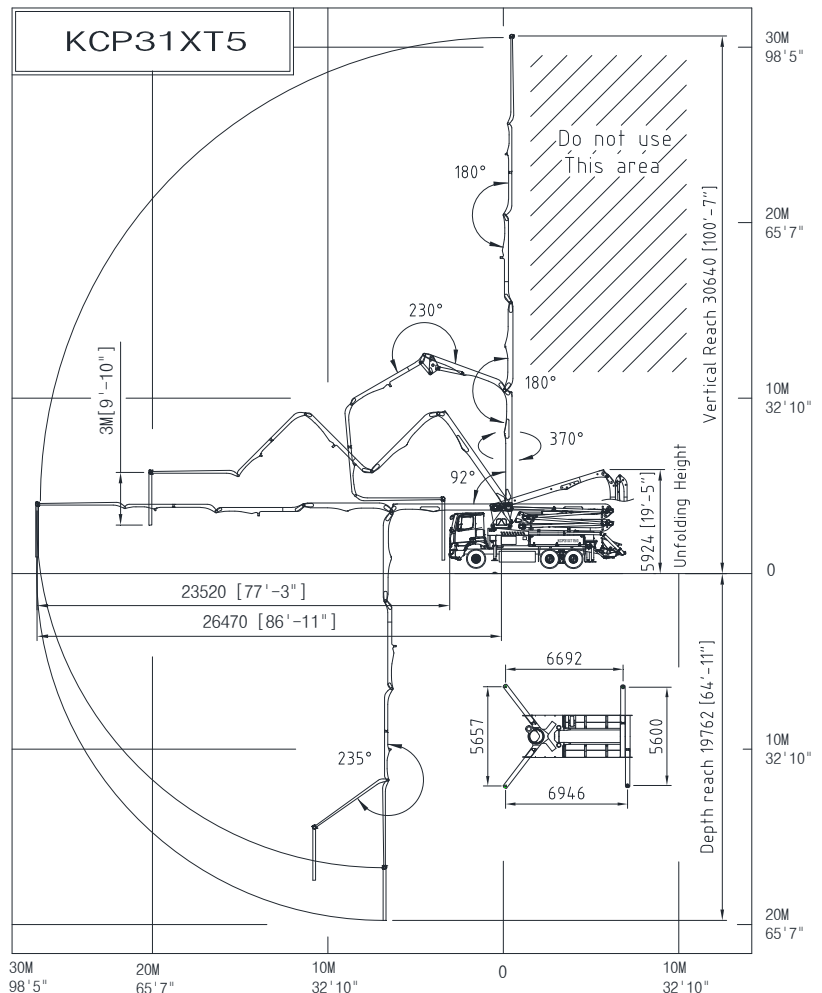


▣ Boom specifications

Vertical reach	30.6 M
Horizontal reach	26.5 M
Reach from front of truck	23.5 M
Unfolding height	5.9 M
Section articulation	92°/180°/230°/180°/230°
Rotation	370°
Delivery line	125 mm
Proportional boom	Yes
End hose length	3 M
Outrigger spread-front	5.6 M
Outrigger spread-rear	5.6 M
Max. outrigger weight	14,000kg

- ⊙ Truck specifications Mercedes Benz 2640 (EURO6)
- ⊙ Maximum theoretical values listed.
- ⊙ Photos and drawings are for illustrative purpose only
- ⊙ Right to make technical amendments reserved

▣ Working diagram



▣ Pump specifications

Maximum output	150 m ³ /h
Concrete cylinder	Ø230×1800mm
Stroke per minute	31
Concrete pressure	63 bar
Hopper capacity	0.5 m ³
S-tube	Ø200×Ø180
Hydraulic pump	Rexroth A11VLO260
Cycling system	Hydraulic with manual overrides
Max. aggregate size	40 mm